



**FERROX PLUS 3585P, 3585W, 3565P  
INOX PLUS 3615P, 3615R, 3615F, 3615FT,  
3615W, 3595P, 3595F**

**FERROX PLUS 3585P, 3585W, 3565P  
INOX PLUS 3615P, 3615R, 3615F, 3615FT,  
3615W, 3595P, 3595F**

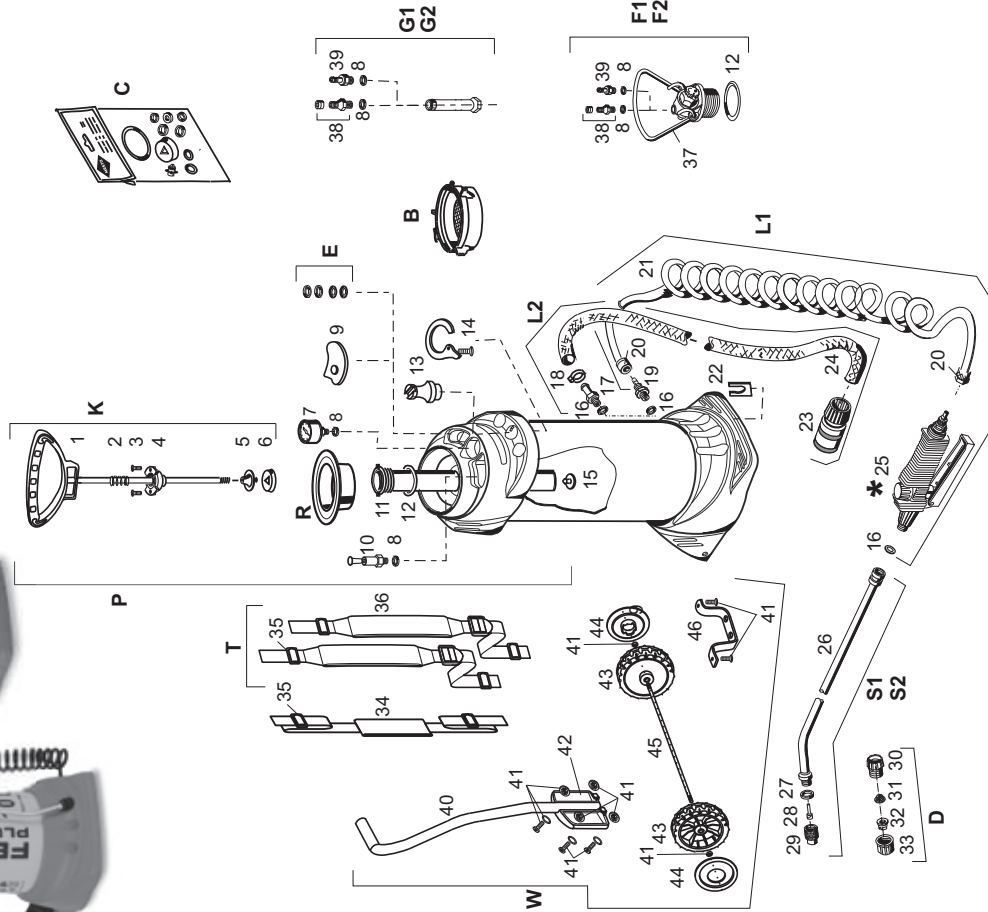


## Compression sprayers



Fig.-No. Ref.-No.

B	6122	Filling strainer
C	6001L	Service kit, FPM O-rings, containing parts 1
D	1421F	Flat spray nozzle 80-01E with filter fine
E	6001CN	Bag with spare parts
F1	6210NA	Air filler valve with pressure reducer 6 bar (automotive tire valve)
F2	6210NB	Air filler valve with pressure reducer 6 bar (quick snap coupling)
G1	6222NA	Pressure control valve (automotive tire valve)
G2	6222NB	Pressure control valve (quick snap coupling 07.2)
K	6229NK	Piston rod Assy.
L1	6321NL	Discharge equipment with shut-off valve 1348LN.FPM
L2	6300NW	Pressure line 2,5 m compl. (water tank), with water stop 1/2"
P	6233W	Air pump, brass, FPM seals
R	6247N	Funnel cover
S1	3655	Spray wand with flat spray nozzle 1421F
S2	3658	Spray wand 50 cm with nozzle 1302
T	7121M	Pair of carrying straps, cpl.
W	3965	Transport cart
1	6229N	Piston rod with handle
2	4210	Bumper spring
3	6243E	Screw D3.5 x 16 mm, stainless steel
4	6230	Cylinder cap
5	6272	Piston 38 mm
6	6208	Piston washer 38 mm
7	6701	Pressure gauge 6 bar
8	1205	Gasket D14 x 09.7 x 2 mm
9	6119K	Lid for spare part box
10	6703K	Safety valve 6 bar
11	6256N	Cylinder tube
12	6225L	O-ring D47 x 5.33 mm, FPM
13	6503HW	Holding nipple
14	6503	Pump holder
15	6241L	Valve disc with stud, FPM
16	1206L	O-Ring D10 x 3 mm, FPM
17	6301B	Hose coupling M 10
18	1601	Hose clamp
19	6341	Coupling M 10 (spiral hose)
20	6340K	Cap nut
21	6322PP	Spiral hose 2,5 m (PUR) with two cap nuts
21	6323P	Spiral hose 5 m (RUB)
22	6522S	Snap-in locking
23	6365G	Water stop 1/2"
24	1364W	Hose PVC D12 mm x 2.5 m
25	1348LN	Shut-off valve (spiral hose) FPM
26	3650	Spray wand 50 cm without nozzle
27	1360L	Gasket D15 x D11 x 2 mm
28	1301	Swirl core, fine
29	1302	Nozzle orifice, 1,1 mm
30	1351	Nozzle body male 18 x 1,5 / female 11 x 1
31	1484	Filter fine, 100 mesh
32	1421T	Nozzle tip flat spray 80-01E
33	1613	Cap nut 18 x 1,5
34	6124	Carrying strap with buckles
35	1502S	Buckle 30 mm width
36	1100	Carrying strap
37	6501	Carrying handle
38	6260	Tire valve
39	6261	Quick snap adapter with check
40	3965E	Holding rod
41	6603	Kit of parts transport trolley
42	6502B	Holding rod attachment
43	6152N	Wheel
44	6151B	Hubcap
45	6501BA	Axis for transport trolley
46	6501BS	Stand



1160

\* = Spare parts details on page „Shut-off valve (big, reinforced plastic)“ and „Shut-off valve with pressure regulator“