

Electric valve

E13N-23

Solenoid valve 2 ways 2 positions, pilot poppet operated, normally open.



Description

Electric cartridge valve on/off designed to hold the load or block flow at high pressure application where low leakage is request.

Operation mode

COIL NOT POWERED: the valve allows flow in both directions.

From 2 to 1 and from 1 to 2.

COIL POWERED: the valve in close position block the flow from 2 to 1.

GENERAL DATA

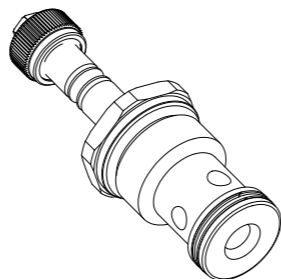
Weight without coil: 0,38 Kg (0,84 lbs).

Ambient temperature range: -30 C° a 60 C° with standard seals (NBR).

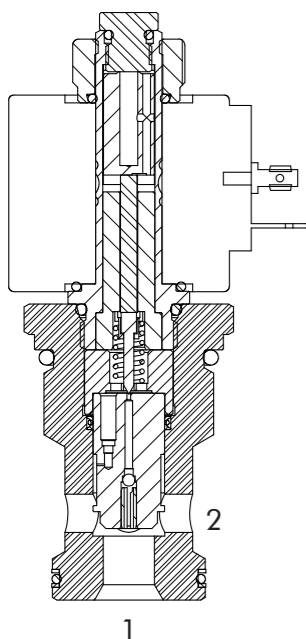
Max. proof pressure: 420 bar (6.090 psi).

Flow Max: 150 l/min (40 gpm).

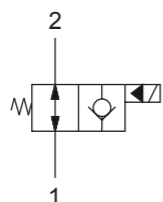
Cartridge materials: high strength steel, internal parts hardened and grinding.



Drawing



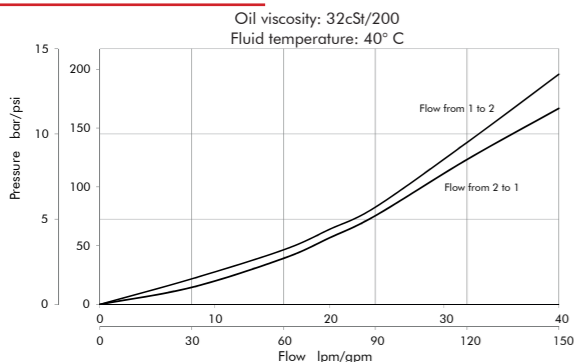
Hydraulic symbol



TECHNICAL DATA	
HYDRAULIC	
Max. working pressure:	350 bar (5.075 psi)
Flow rate:	min 5 l/min (1,3 gpm) max 150 l/min (40 gpm)
Fluid:	Mineral based oil
Viscosity:	Da 15cSt a 250 cSt
Leakage:	0,25 cc/min (5 drops/min) P max. 350 bar (5.075 psi)
Standard seals:	O-ring NBR Back up ring PTFE
Cavity:	GCZ1320
Installation torque:	80 N/m
Coil nut torque:	2 N/m
Filtration:	NAS 8 ISO 4406 19/17/14
Fluid temperature range:	From -20 to +80 C°
Fatigue cycle life:	1.000.000 cycle at 350 bar
Seal kit std.:	K132N00
ELECTRIC	
Type of voltage:	DC
Insulation index:	H
Nominal voltage:	+/- 10 %
Power at 20 C°:	22 W
ED*:	100% with ambient temperature range -20 C° +40 C°
Coil code: (see page 4.001)	S30

*Note: For temperature or special conditions contact our sales office.

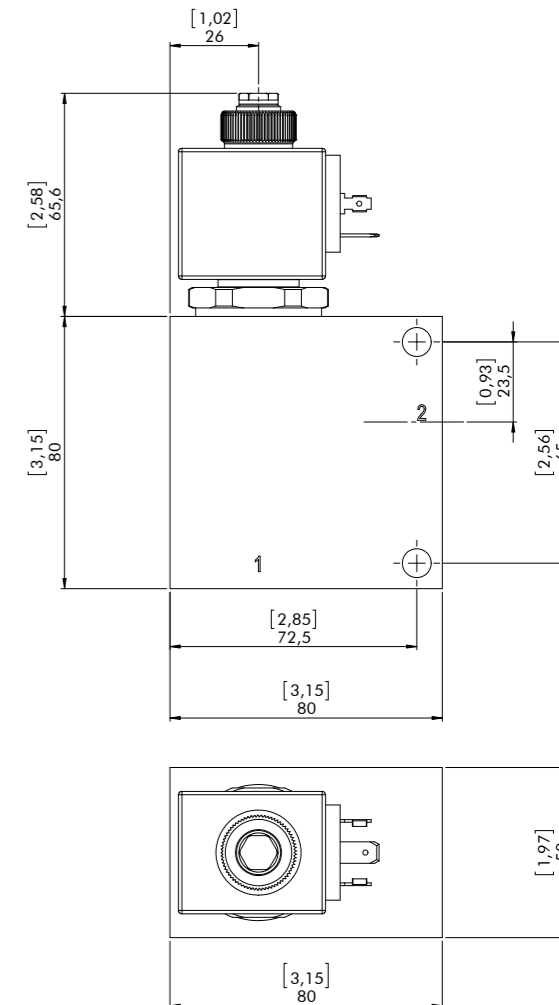
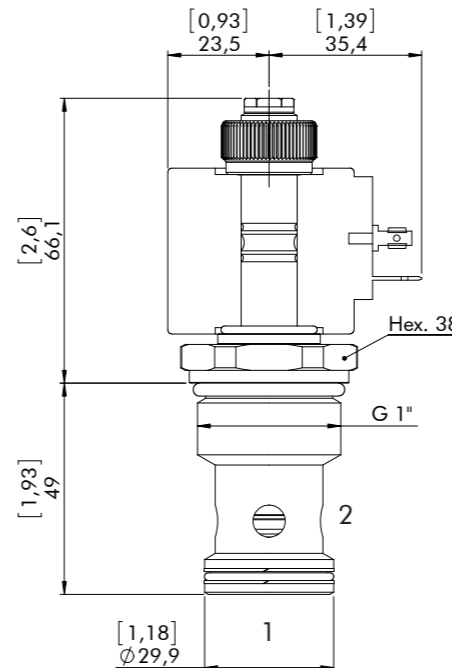
Performance graphs



Dimensions

E13N-23

Inches
Millimeters



STANDARD HOUSING	
Ordering code:	See page 5.008
Material*:	Aluminium/Steel Max working pressure for aluminum body: 210 bar Max working pressure for steel body: 350 bar

*Note: To correctly select the material, in relation to application, see page 001.

Ordering code

E13N-23

Seals

- None (std. NBR)
- V- Viton
- Y- Polyurethane

Options*

- None (std. without override)
- P- Push
- PT- Push and twist

*Note: Information about manual override are available at page 1.058.

Connector

- DN- Din
- DU- Deutsch
- AM- Amp Junior

Voltage

- None (std. without coil)
- 12- Vdc
- 14- Vdc
- 24- Vdc

Material std. housing

- A- Aluminium
- S- Steel

Housing size ports

- None (std. only cartridge)
- 5B- 3/4" BSP
- 6B- 1" BSP
- 5S- SAE 12
- 6S- SAE 14