

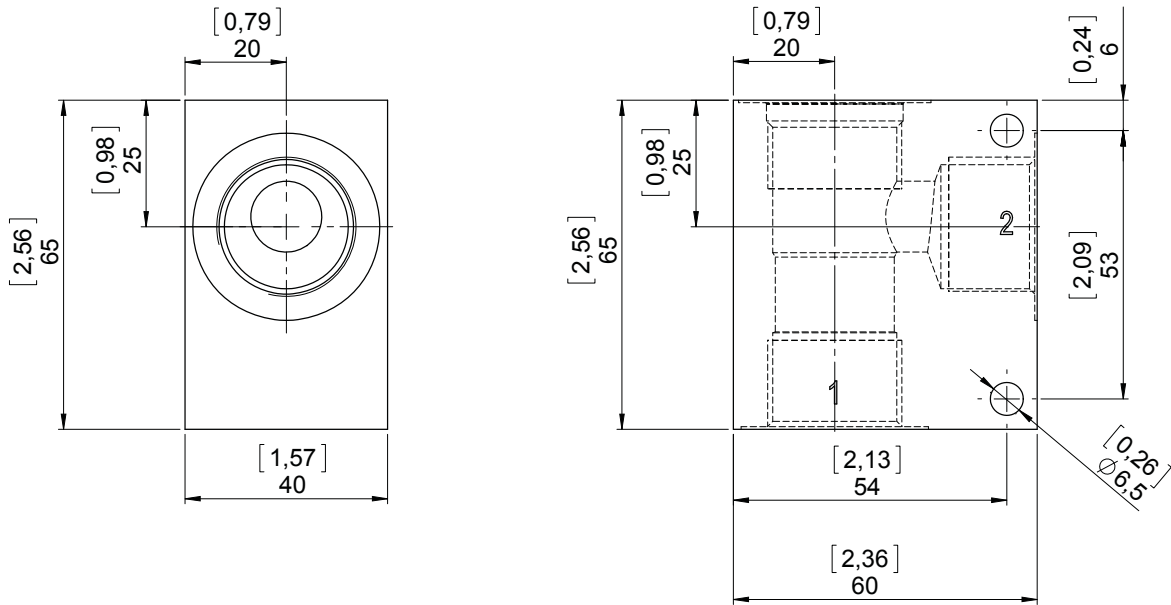
# Standard bodies

## Body G 3/4" standard



Inches

Millimeters



Ordering code	Ports	Material	Weight Kg (lbs)
B11S-2L-4B-A	G 1/2" BSPP	Aluminium	0,33 (0,73)
B11S-2L-4B-S	G 1/2" BSPP	Steel	0,94 (2,08)
B11S-2L-5B-A	G 3/4" BSPP	Aluminium	0,3 (0,67)
B11S-2L-5B-S	G 3/4" BSPP	Steel	0,88 (1,96)

