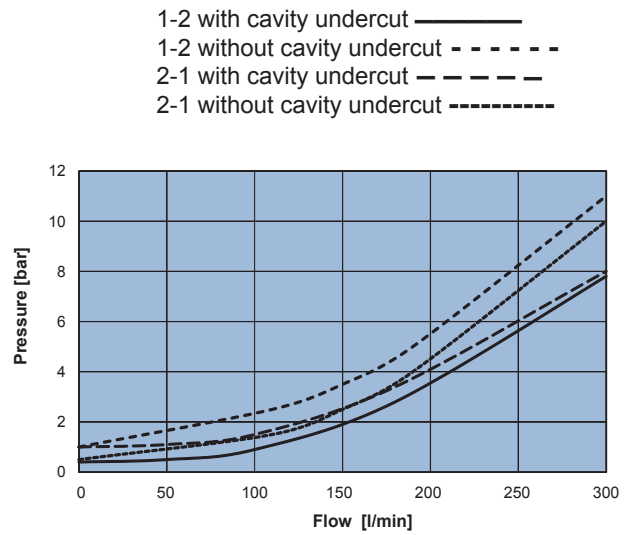
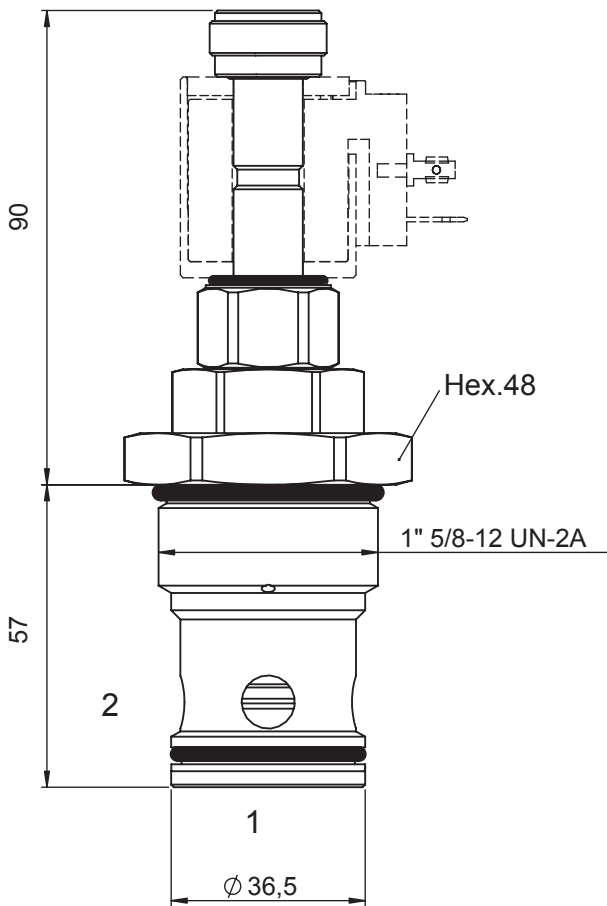
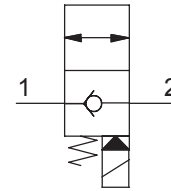
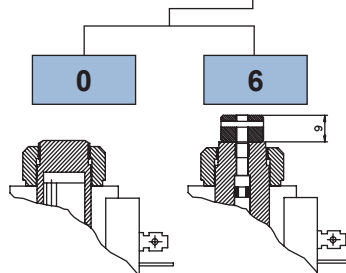


2 WAY 2 POSITION ELECTRIC POPPET VALVE, PILOT OPERATED NC

- Flow. **300 l/min**
- Max working pressure. **350 bar**
- Leakage. **0,25 cc/min**
- Seals **NBR and PTFE**
- Cartridge tightening torque **100 Nm**
- Ring nut tightening torque **5 Nm**
- Weight (with coil). **0,95 Kg**
- Cavity **C260001** page 206
- Coil (to be ordered separately) **09400** page 171



Ordering code
0 5 6 6 1 0 0 0 0



No emergency Unscrew type

