



VALVOLA DI BLOCCO PILOTATA SEMPLICE EFFETTO  
IN LINEA CON RUBINETTO (SINISTRA)

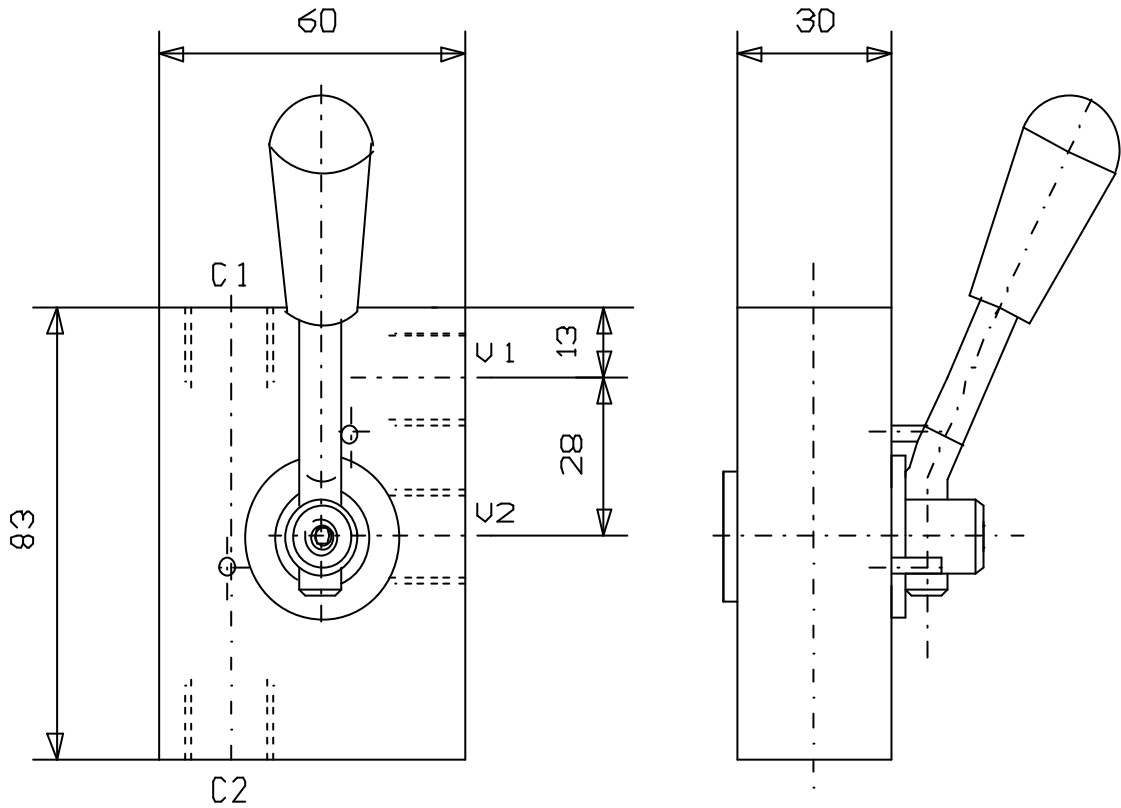
PILOT OPERATED CHECK VALVES, INTERNAL PILOT, OPERATED TYPE, SINGLE ACTING,  
WITH MANUAL LEVER CONTROL (LH), FACE MOUNTING

Tipo/Type:

VUPR/S 38

1

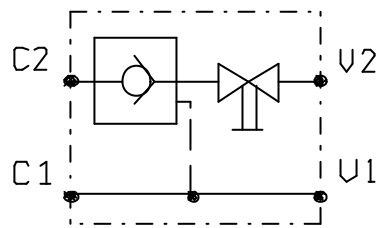
15.01



Pressione - Pressure  $\Delta P$  ( Bar )



Portata - Flow  $Q$  ( l/min )



U1 - C1 U2 - C2	Press. max. ( Bar )	Apertura ( Bar )	Rapp. pilot.
G 3/8	350	0,5 4	4:1