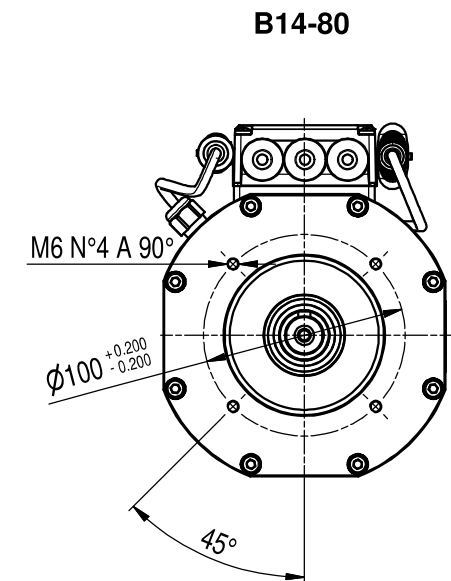
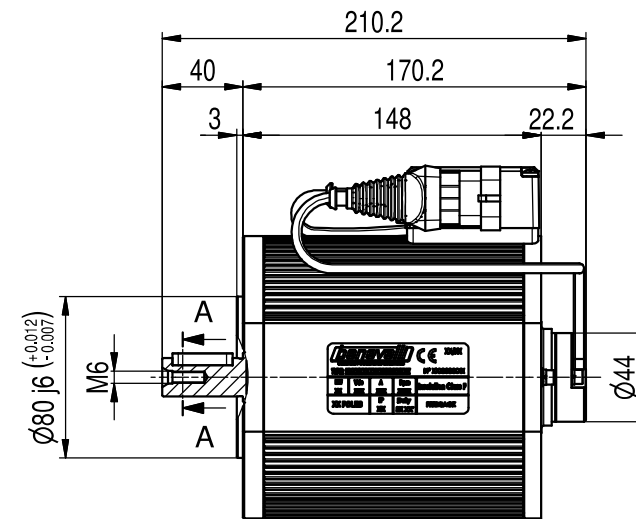


SMAC 132-075



STANDARD LAYOUT



TECHNICAL DATA

Motor	Battery DC Voltage [V]	Rated Power [kW]	Instant Power [kW]	Rated Torque [Nm]	Instant Torque [Nm]	Rated Current [Arms]	Peak Current [Arms]	Rated Speed min <sup>-1</sup>	DOWNLOAD
1 SMAC 132-075-06	24	3,0	10,0	9,5	41,0	130	660	3.000	
2 SMAC 132-075-06	36	2,1	5,9	9,0	37,0	68	312	2.250	
3 SMAC 132-075-06	48	3,0	10,0	9,5	41,0	65	330	3.000	
4 SMAC 132-075-06	80	3,0	10,0	9,5	40,0	38	200	3.000	
5 SMAC 132-075-70	560	2,8	14,0	9,0	37,0	21	37	3.000	