

TANKS

Squared steel tanks from 3 to 30 l



Round steel tanks from 1,5 to 12 l, for horizontal and vertical mounting



Squared plastic tanks, from 1,5 to 12 l, for horizontal or vertical mounting



Round plastic tanks with 5 or 9 l volume, for horizontal or vertical mounting.

Better plastic or steel tanks?

Plastic tanks have several advantages. Among them they do not get rust, the oil level is visible, they do not damage if getting bumped,... On the other hand steel tanks are to be preferred in case of ultra high or ultra low temperatures. They are the only choice for volumes of 12 l.

Is it possible to realize custom made tanks?

Yes. We can provide an adaptor flange (F80000001) which can be welded on custom made tanks, at customer care.

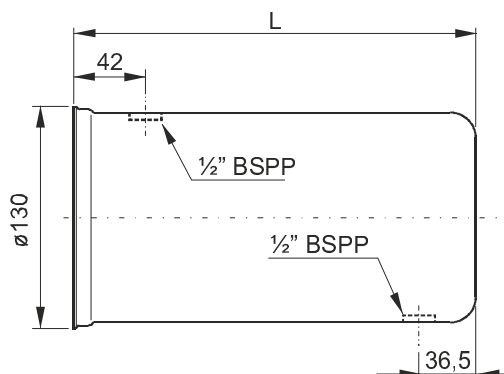
How do I order spare tanks?

Tanks can be ordered without accessories just by adding a J in front of the relevant code (es. JE60303015 instead of E60303015). When ordered with the normal code (e.g. E60303015) they include the relevant accessories such as: plugs, filler breather, oil level, fixing devices,... depending on the kind of tank. Tanks specified in PPC speaking code always include all relevant accessories.

ROUND STEEL TANKS A & B SERIES



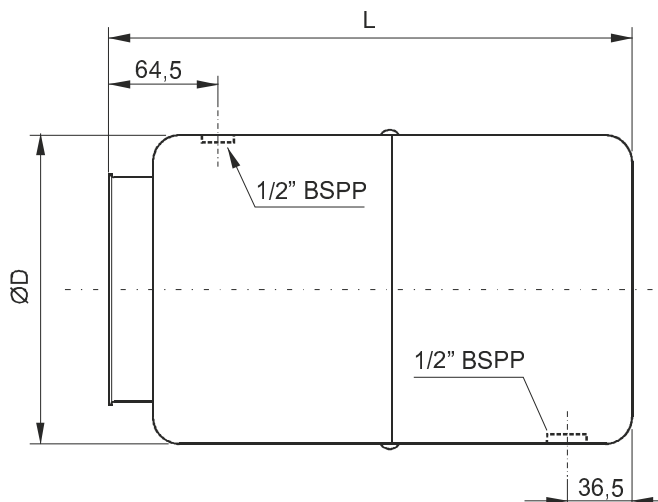
Recommended tightening torque for 1/2" BSPP: 5 Nm



Description	PPC assembly code	Spare part code	L (mm)	Weight	Actual filling volume (lt)	
					Horizontal	Vertical
1,5 l cylindrical horizontal / vertical mounting	1,5A / 1,5AV	E60303001	150	0,78 Kg	1,8	1,2
2,5 l cylindrical horizontal / vertical mounting	2,5A / 2,5AV	E60303004	235	1,04 Kg	2,8	2,3



Recommended tightening torque for 1/2" BSPP: 5 Nm



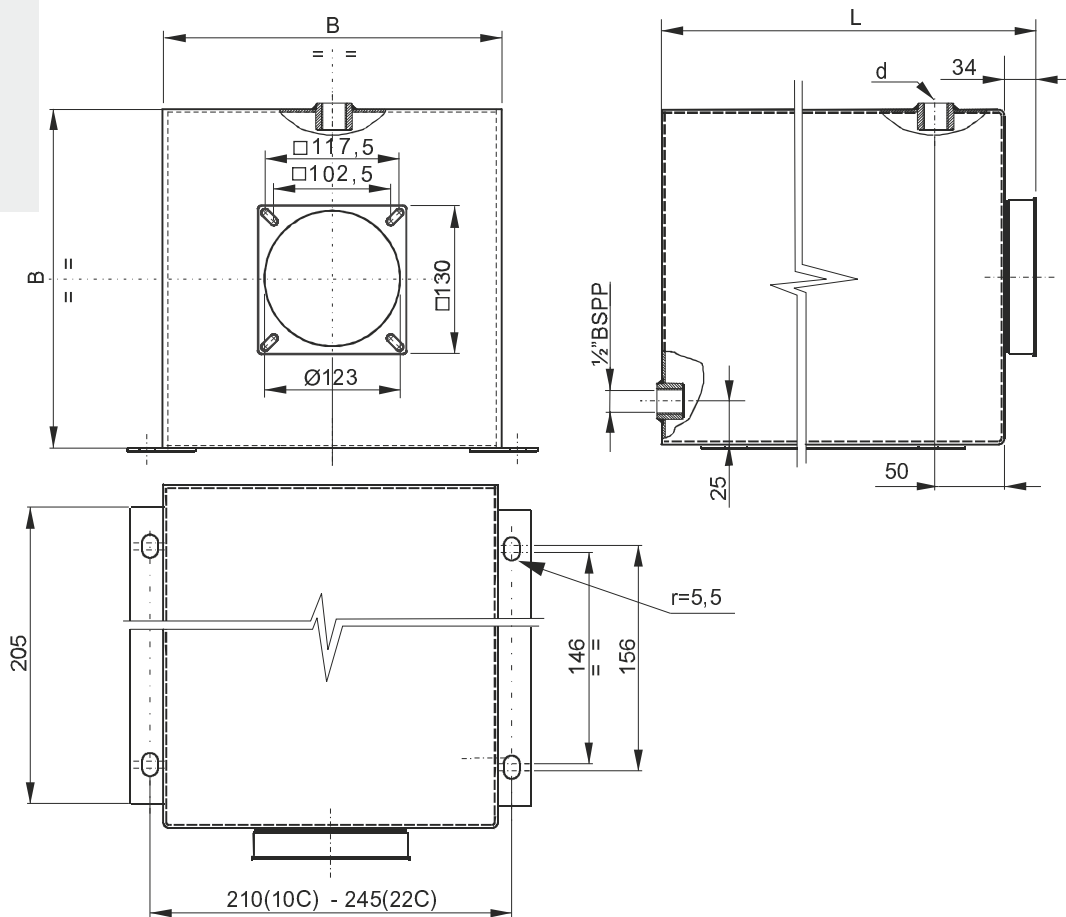
Description	PPC assembly code	Spare part code	L (mm)	ØD (mm)	Weight	Actual filling volume (lt)	
						Horiz.	Vert.
5 l cylindrical horizontal / vertical mounting	5B / 5BV	E60303006	300	180	1,82 Kg	6,5	4,9
10 l cylindrical horizontal / vertical mounting	10B / 10BV	E60303011	262	220	2,01 Kg	8,4	6,0
12 l cylindrical horizontal / vertical mounting	12B / 12BV	E60303012	380	220	2,47 Kg	12,6	10,5

All measures are indicative in mm

Material	Fe P04-EN10130 steel sheet 1,5mm thickness
Fluid	Mineral based oil ISO/DIN 6743/4
Working temperature	-15 / +70°C

Note: the piping kit, standard suction filter, filler/breather and discharge plug are included when specifying the tank in PPC assembly code. When ordering spare parts, only the discharge plug and filler/breather are included.

HORIZONTAL/VERTICAL SQUARE WELDED STEEL TANKS C SERIES



Description	PPC assembly code	Spare part code	L (mm)	B (mm)	d	Weight	Actual filling volume (lt)	
							Horizont.	Vertical
10 l squared horiz./vert. mounting	10C / 10CV	E60303042	330	185	$1/2''$ BSPP	5,50 Kg	9,6	8,1
22 l squared horiz./vert. mounting	22C / 22CV	E60303044	470	223	$3/4''$ BSPP	6,80 Kg	20,6	18,5

All measures are indicative in mm

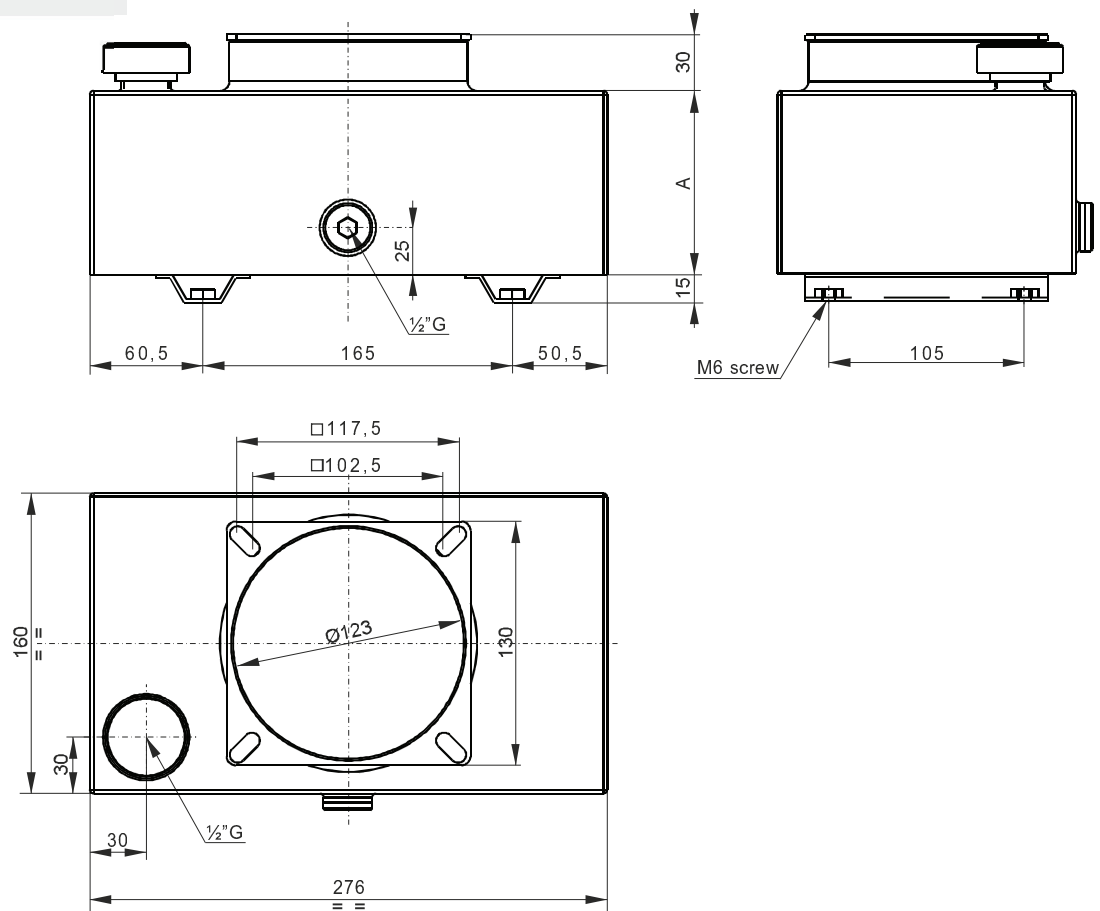
Material	Fe P04-EN10130 steel sheet 1,5mm thickness
Fluid	Mineral based oil ISO/DIN 6743/4
Working temperature	-15 / +70°C

Notes: the piping kit, standard suction strainer, filler/breather and discharge plug are included when specifying the tank in PPC assembly code.

When ordering spare tanks, only the discharge plug and filler/breather are included.

On request special square welded tanks can be realized. An inquiry must be sent to our technical department with indication of quantities.

SMALL SIZE SQUARE WELDED STEEL TANKS E SERIES



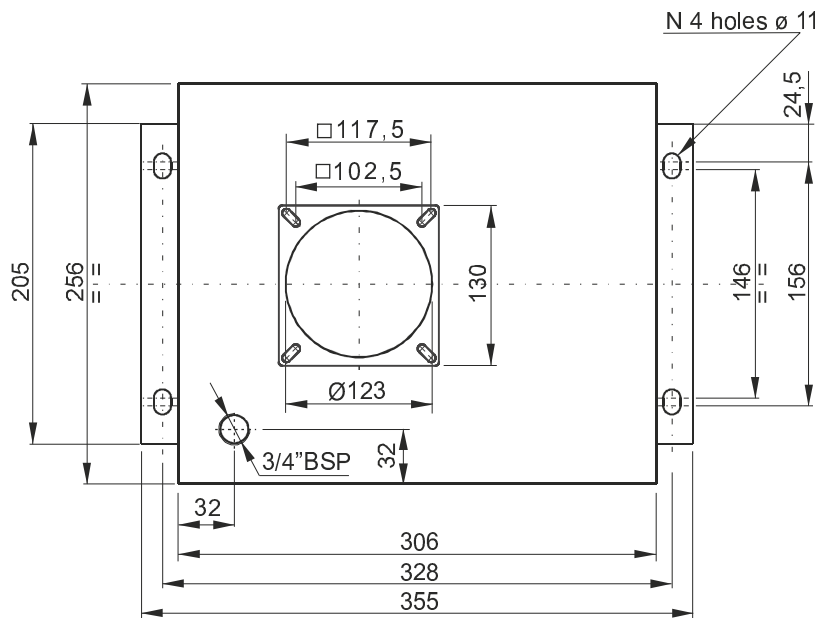
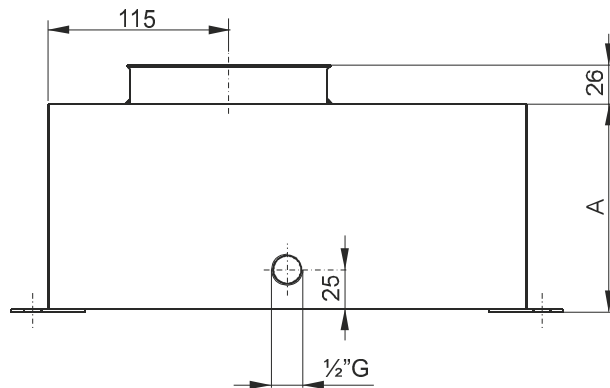
Description	PPC assembly code	Spare part code	A	Weight	Actual filling volume (lt)	
					Horizontal	Vertical
3 l square vertical mounting	3EV	E60303053	98 mm	3,09 Kg	-	4,2
7 l square vertical mounting	7EV	E60303057	190 mm	4,32 Kg	-	8,3

All measures are indicative in mm

Material	Fe P04-EN10130 steel sheet 1,5mm thickness
Fluid	Mineral based oil ISO/DIN 6743/4
Working temperature	-15 / +70°C

Notes: the piping kit, standard suction strainer, filler/breather and discharge plug are included when specifying the tank in PPC assembly code.
When ordering spare tanks, only the discharge plug and filler/breather are included.

SMALL SIZE SQUARE WELDED STEEL TANKS E SERIES



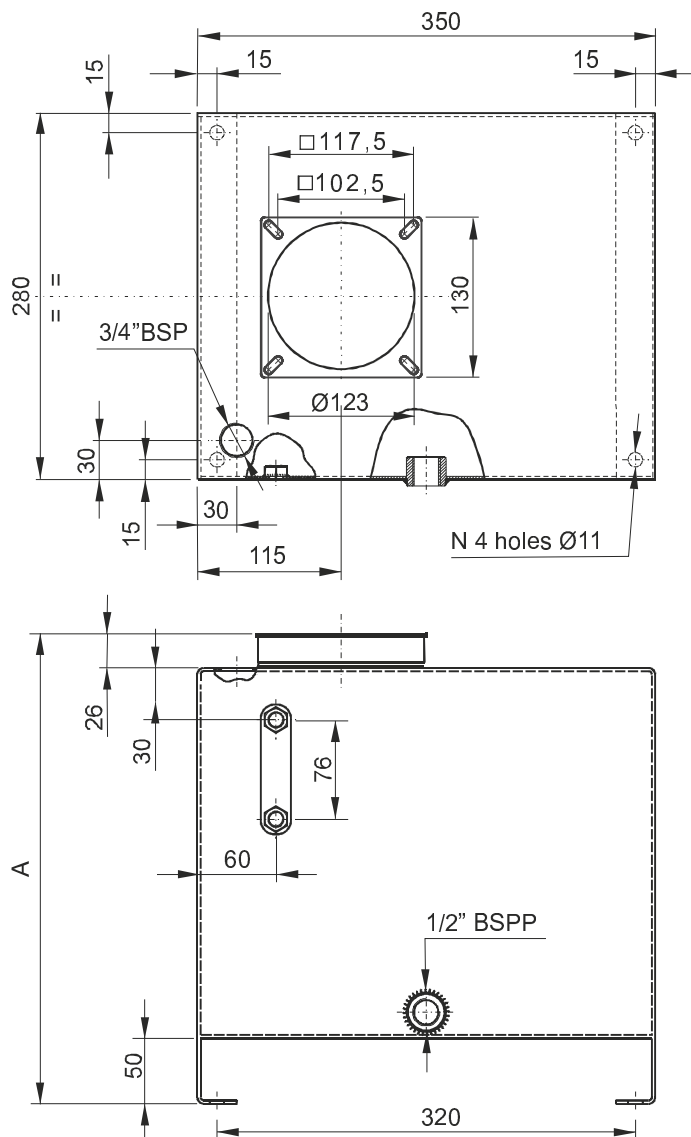
Description	PPC assembly code	Spare part code	A	Weight	Actual filling volume (lt)	
					Horizontal	Vertical
8 l square vertical mounting	8EV	E60303041	133 mm	4,50 Kg	-	10,4
15 l square vertical mounting	15EV	E60303014	237 mm	5,20 Kg	-	18,5

All measures are indicative in mm

Material	Fe P04-EN10130 steel sheet 1,5mm thickness
Fluid	Mineral based oil ISO/DIN 6743/4
Working temperature	-15 / +70°C

Notes: the piping kit, standard suction strainer, filler/breather and discharge plug are included when specifying the tank in PPC assembly code.
When ordering spare tanks, only the discharge plug and filler/breather are included.

SQUARE WELDED STEEL TANKS E SERIES



Description	PPC assembly code	Spare part code	A	Weight	Actual filling volume (lt)	
					Horizontal	Vertical
20 l squared vertical mounting	20EV	E60303015	293 mm	6,50 Kg	-	20,8
30 l squared vertical mounting	30EV	E60303048	423 mm	8,50 Kg	-	33,5

All measures are indicative in mm

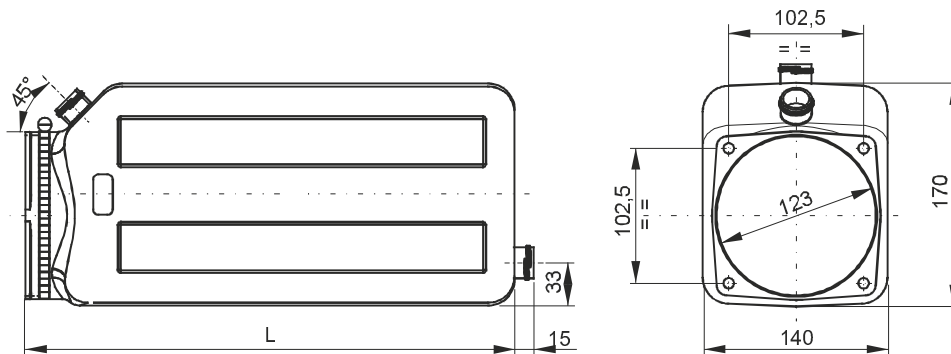
Material	Fe P04-EN10130 steel sheet 2,5mm thickness on top and side, 1,5mm thickness front and rear
Fluid	Mineral based oil ISO/DIN 6743/4
Working temperature	-15 / +70°C

Notes: the piping kit, standard suction strainer, filler/breather, level gauge and discharge plug are included when specifying the tank in PPC assembly code.

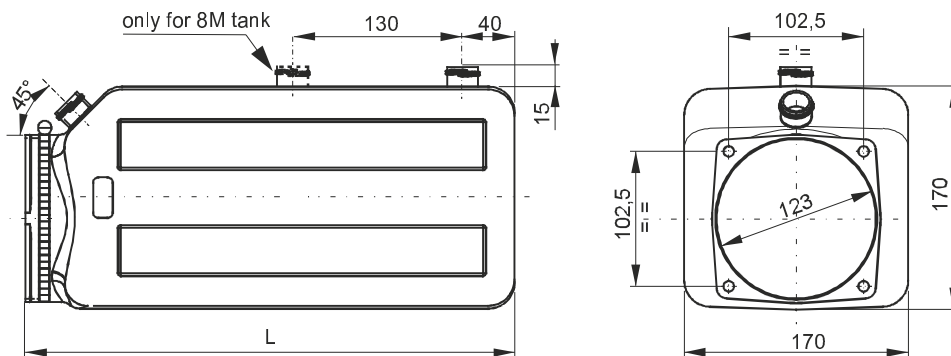
When ordering spare tanks, only the discharge plug, filler/breather and level gauge are included.

On request special square welded tanks can be realized. An inquiry must be sent to our technical department with indication of quantities.

SQUARE PLASTIC TANKS L & M SERIES



Description	PPC assembly code	Spare part code	L (mm)	Weight	Actual filling volume (lt)	
					Horizontal	Vertical
1,5 l squared horizontal / vertical mounting	1,5L / 1,5LV	H60303016	135	0,32 Kg	2,4	1,5
3 l squared horizontal / vertical mounting	3L / 3LV	H60303018	250	0,42 Kg	4,4	4,2
6 l squared horizontal / vertical mounting	6L / 6LV	H60303020	350	0,63 Kg	6,2	6,6

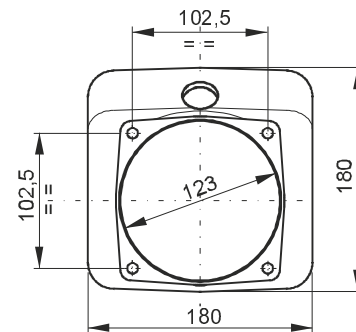
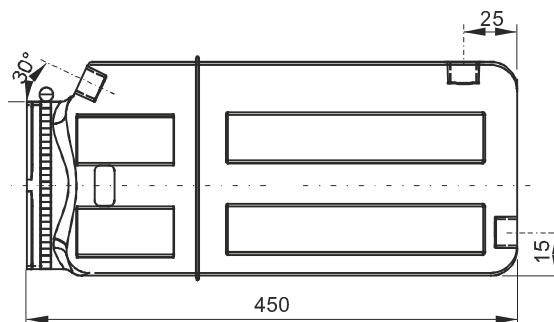


Description	PPC assembly code	Spare part code	L (mm)	Weight	Actual filling volume (lt)	
					Horizontal	Vertical
5 l squared horizontal / vertical mounting	5M / 5MV	H60303025	270	0,60 Kg	5,8	5,7
8 l squared horizontal / vertical mounting	8M / 8MV	H60303033	375	0,76 Kg	8,1	8,8

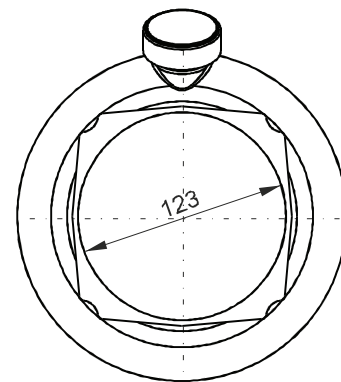
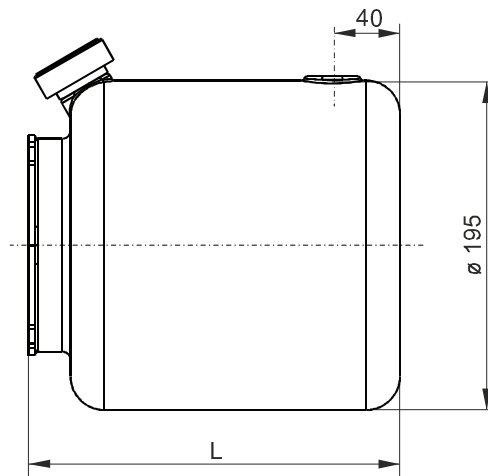
Material	PE-HD neutral / transparent color (DO NOT EXPOSE TO DIRECT SUNLIGHT)
Fluid	Mineral based oil ISO/DIN 6743/4
Working temperature	-15 / +70°C

Notes: the piping kit, standard suction strainer and filler/breather are included when specifying the tank in PPC assembly code. When ordering spare tanks, only the filler/breather C86100003, C86200002 or C86100001 and clamp band are included. Discharge ports are normally blind moulded.

PLASTIC TANKS N & P SERIES



Description	PPC assembly code	Spare part code	Weight	Actual filling volume (lt)	
				Horizontal	Vertical
12 l squared horizontal / vertical mounting	12N / 12NV	H60303036	0,94 Kg	12,6	12,1



Description	PPC assembly code	Spare part code	L (mm)	Weight	Actual filling volume (lt)	
					Horizontal	Vertical
5 l round horizontal / vertical mounting	5P / 5PV	H60303028	219	0,60 Kg	5,9	4,8
9 l round horizontal / vertical mounting	9P / 9PV	H60303031	323	0,76 Kg	8,7	7,8

Material	PE-HD neutral / transparent color (DO NOT EXPOSE TO DIRECT SUNLIGHT)
Fluid	Mineral based oil ISO/DIN 6743/4
Working temperature	-15 / +70°C

Notes: the piping kit, standard suction strainer and filler/breather are included when specifying the tank in PPC assembly code. When ordering spare tanks, only the filler/breather C86100003, C86200002 or C86100001 and clamp band are included. Discharge ports are normally blind moulded.

TANKS PLUGS AND ACCESSORIES

Filler breather
1/2" - 3/4" BSPP

	1/2"	3/4"
A	1/2"	3/4"
ø B	30	47
C	10	17
D	21	17

Suitable for B/BV type tanks (1/2" BSPP)
Suitable for EV type tanks (3/4" BSPP)

Spare part codes

C86100001 (1/2" BSPP)
C86100002 (3/4" BSPP)

Drain plug

	A
TCNB0800	15
TB050801	19

Suitable for all steel tanks

Spare part codes

Code: TCNB0800 (plastic)
TB050801 (steel)

Filler breather slip-in

Suitable for all plastic tanks

Spare part code

C86200002

Filler breather
3/4" BSPP female

Suitable for all series plastic tanks

Spare part code

C86100003

3/4" BSPP female
drain plug

Suitable for all series plastic tanks

Spare part code

E60513005

90° elbow for suction pipe
M 1/4" & 3/8" BSPT - M 3/8" BSPP
Recommended for horizontal tanks

Filter not included in the code

	L	D
PP01E40	40	1/4"BSPT
PP01E77	77	1/4"BSPT
PP02E40	40	3/8"BSPT
PP02E77	77	3/8"BSPT

Spare part code

PP0*E**

3/8" suction pipe

	L
PP0242	42
PP0268	68
PP02125	125
PP02142	142
PP02165	165
PP02180	180
PP02190	190
PP02237	237
PP02370	370

To fit inlet strainers C34100005 to the pump

Spare part codes

PP02**

1/4" return/suction pipe

	L
PP0141	41
PP01123	123
PP01370	370

Recommended as suction pipe for PMC02 hand pumps and as return pipe with C3420001 return filter.

Spare part codes

PP01**

ACCESSORIES

Inlet strainers
Screened eccentric type

Filtration degree: 90 micron

Recommended for 1,5 l tanks horizontal mounting

Weight: 0,13 Kg

Spare part code

C34100001

Standard inlet strainer filters
Filtration degree: 90 micron

	D
C34100004	1/4" BSPP
C34100005	3/8" BSPP

Weight: 0,013 Kg

Spare part codes

C3410000*

Steel tank adapter

Unpainted, to be welded on custom made tanks

Weight: 0,21 Kg

Spare part code

F80000001

Return filter

Suitable for all tanks over 3l

Weight: 0,13 Kg

Filtration degree: 90 micron

Spare part code

C34200001

Relief valve return diffuser
To be mounted in cavity Tr

It reduces foam and noise when relief valve is laminating.

Recommended for all vertical mounting tanks.

Spare part code

SFEP01D

90° adapter for vertical tanks

Spare part code

E60513004

Flexible plastic pipe

Recommended as standard return pipe.

To be fixed with TR01-12 and cut at proper length.

To be ordered in meters

Spare part code

SF12

Flexible plastic pipe holder for return line
1/4" BSPT

Spare part code

TR0112