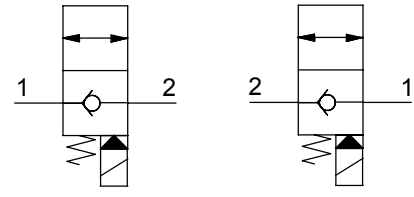


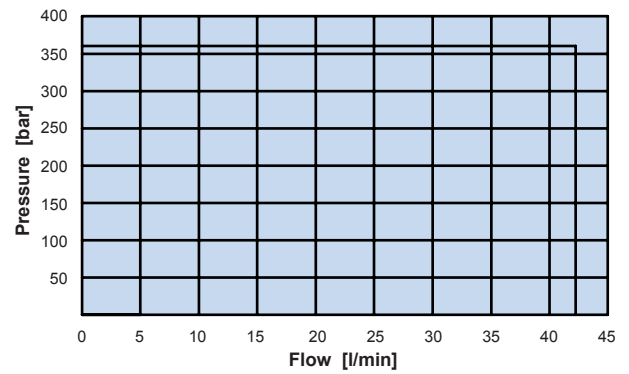
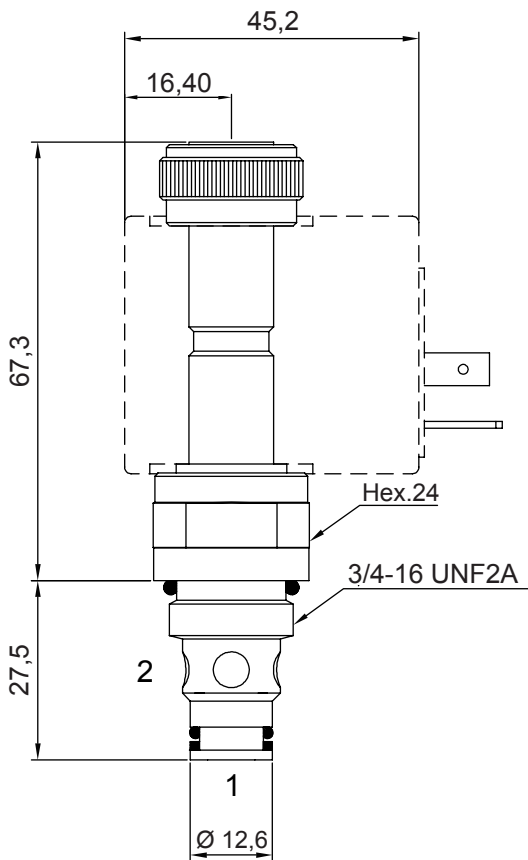
**2 WAYS 2 POSITIONS ELECTRIC VALVE, PILOT POPPET OPERATED NC**

- Flow ..... **40 l/min**
- Max working pressure..... **350 bar**
- Leakage ..... **0,25 cc/min**
- Seals ..... **NBR**
- Cavity ..... **C220000**
- Cartridge tightening torque..... **30 Nm**
- Ring nut tightening torque ..... **5 Nm**
- Weight (with coil)..... **0,32 Kg**
- Coil **CT-9400** to be ordered separately



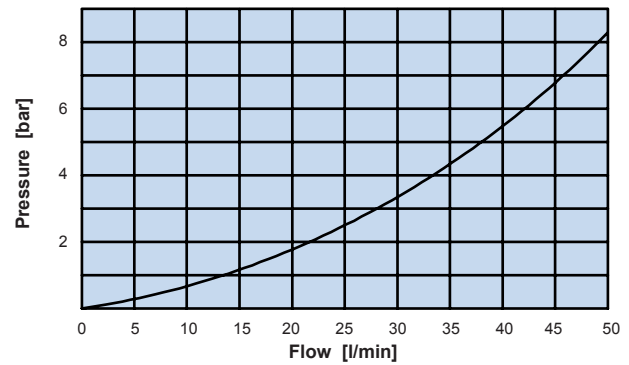
**Scheme 0**

**Scheme 1**



**Application limits from 2 to 1 and 1 to 2**

93



**Pressure drop from 2 to 1 and from 1 to 2**

**Ordering code**

**0 5 6 2 1 [ ] 0 [ ] 0 0**

