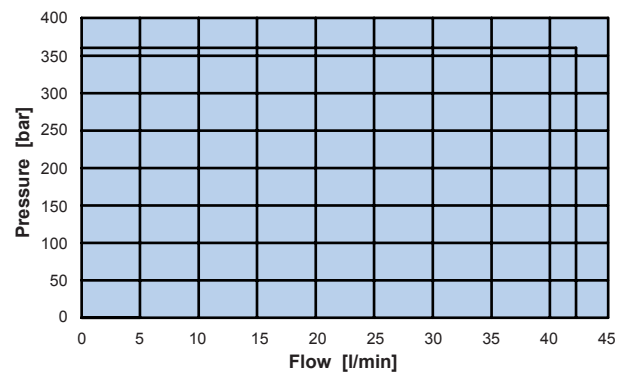
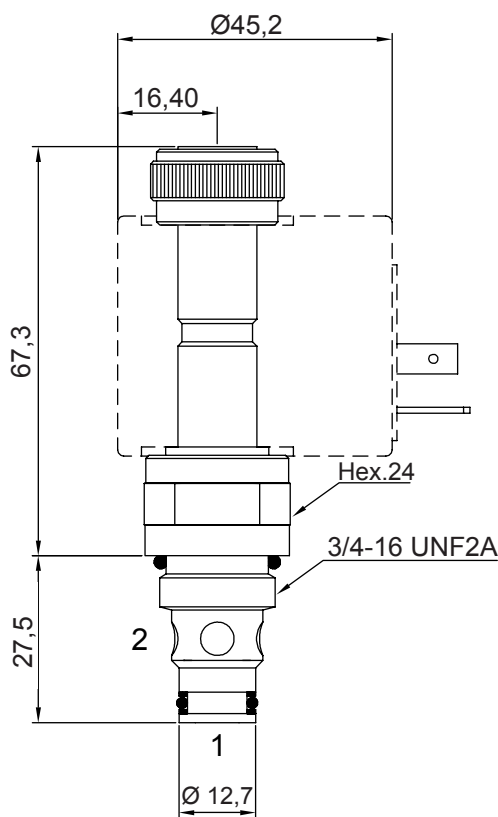
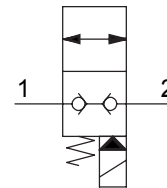


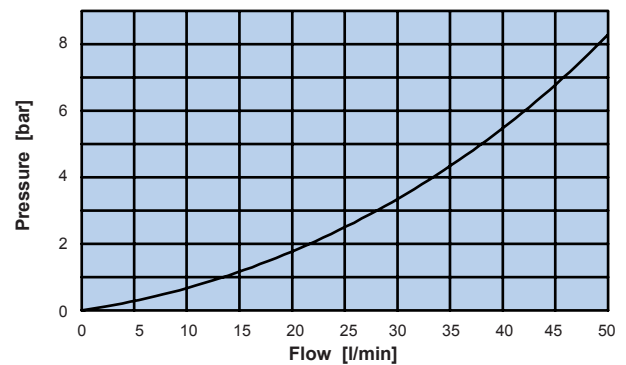
2 WAYS 2 POSITIONS ELECTRIC VALVE, PILOT POPPET OPERATED NC

- Flow **.40 l/min**
- Max working pressure **350 bar**
- Leakage **0,25 cc/min**
- Seals **NBR**
- Cavity **C220000**
- Cartridge tightening torque **30 Nm**
- Ring nut tightening torque **5 Nm**
- Weight (with coil) **0,32 Kg**
- Coil **CT-9400** to be ordered separately



Application limits from 2 to 1 and 1 to 2

73



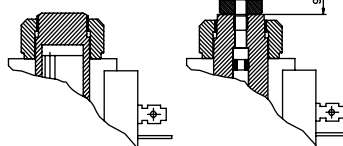
Pressure drop from 2 to 1 and from 1 to 2

Ordering code

0 5 1 2 1 0 0 [] 0 0

0

6



No emergency Unscrew type

