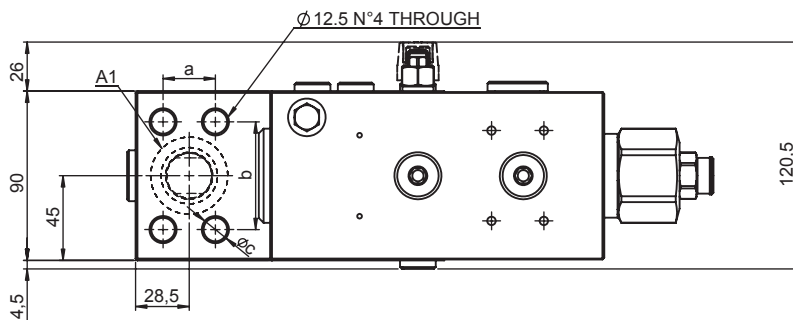
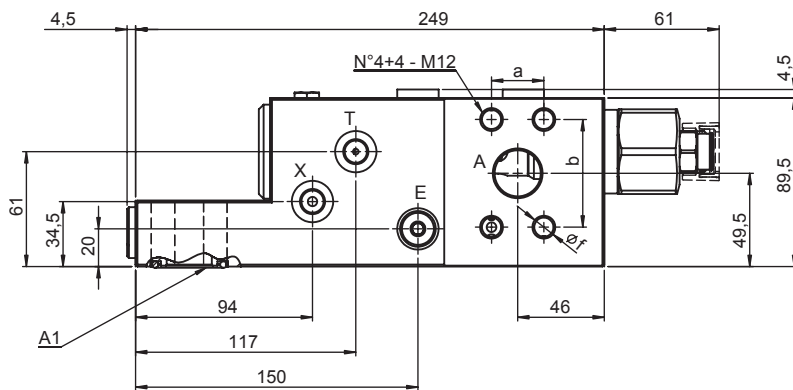
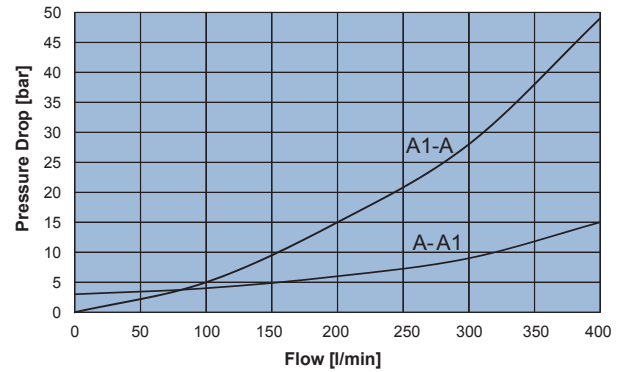
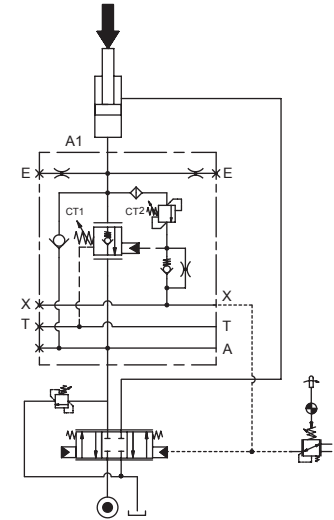


LOAD LOWERING CONTROL VALVE - SAE FLANGED 1"-SAE6000

- Max flow Y2513Y11446600 **400 l/min**
- Max working pressure..... **410 bar**
- Compensation..... **Fully Compensated with drain line**
- Weight **12 Kg**
- Tamper proof cap CT1..... **cod.9021030191**
- Tamper proof cap CT2..... **cod.9021015101**



Flange	a	b	c	f	O-Ring
1"- SAE 6000	27.8	57.2	12.5	M 12	32.92x3.53 NBR 70°SH



Ordering code

Y 2 5 1 3 Y **0 0**

PILOT RATIO	
11	1:0 - FINE METERING

PORTS	
66	
A,A1	1"- SAE 6000
T,E,X	G 1/4"

SPRING CT1		
Setting Range min.-max. [bar]	Pressure Increase [bar/turn]	Standard Setting @20 cc/min [bar]
4 5 - 14	2.3	7.5

SPRING CT2		
Setting Range min.-max. [bar]	Pressure Increase [bar/turn]	Standard Setting @4 l/min [bar]
4 200 - 420	250	350